

Specifications :

Designed for : Light to medium use, indoor and outdoor
Suitable for : Top Mount
Surface Treatment : Anodize Finishing and RAL Colour Options

Prefix options : Cutting, drilling, powder coating and preassembly

Profile Code : TP - 80 - Weight 3.194 kg / m
Material : Aluminum
Base Profile Length : 7000 mm
Base Profile Width : 60 mm
Base Profile Height : 80 mm
Glass Height Max. : 800 mm
Glass Width Max. : 1200 mm
Suitable for Glass : 12 mm & 16 mm Glass

Features :

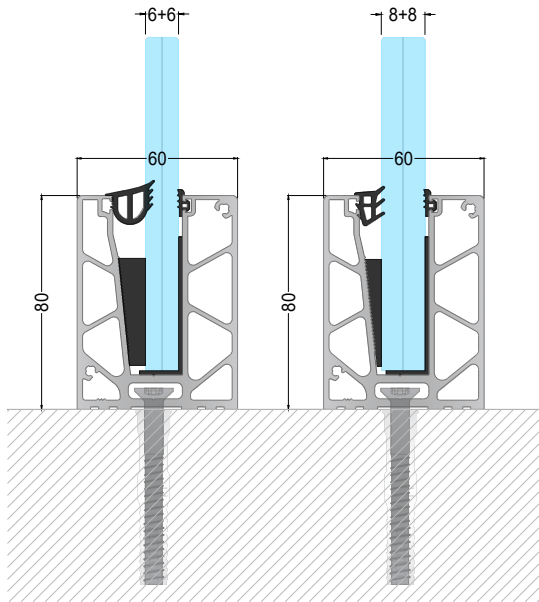
Attractively priced
 Popular railing designs available directly from stock
 Modular Structure
 Easy Installation
 Safe & Clean

BASE GLASS CHANNEL SYSTEM
 STREAMLINED STRENGTH & STABILITY

GR 80



TECHNICAL DETAILS



Section



USED COMPONENTS

-  GR1415 - Glazing Gasket - 76 m / pack :10 kg
-  GR8062 - Glazing Gasket -108 m / pack :10 kg
-  GR8437 - Outer Glazing Gasket
- 357 m / pack : 10 kg
-  GR3762 - Glazing Wedge (12 mm for Glazing)
- pack / 1 pcs
-  GR3763 - Glazing Wedge (16 mm for Glazing)
- pack / 1 pcs
-  GR8037 - Glazing Adjusting Plastic (PVC)
- pack / 100 pcs

Specifications :

Designed for : Light to medium use, indoor and outdoor
Suitable for : Top Mount
Surface Treatment : Anodize Finishing and RAL Colour Options

Prefix options : Cutting, drilling, powder coating and preassembly

Profile Code : TP - 100 - Weight 3.909 kg / m
Material : Aluminum
Base Profile Length : 7000 mm
Base Profile Width : 60 mm
Base Profile Height : 100 mm
Glass Height Max. : 1200 mm
Glass Width Max. : 1200 mm
Suitable for Glass : 12 mm & 16 mm Glass

Features :

Attractively priced
 Popular railing designs available directly from stock
 Modular Structure
 Easy Installation
 Safe & Clean

BASE GLASS CHANNEL SYSTEM
 STREAMLINED STRENGTH & STABILITY

GR100



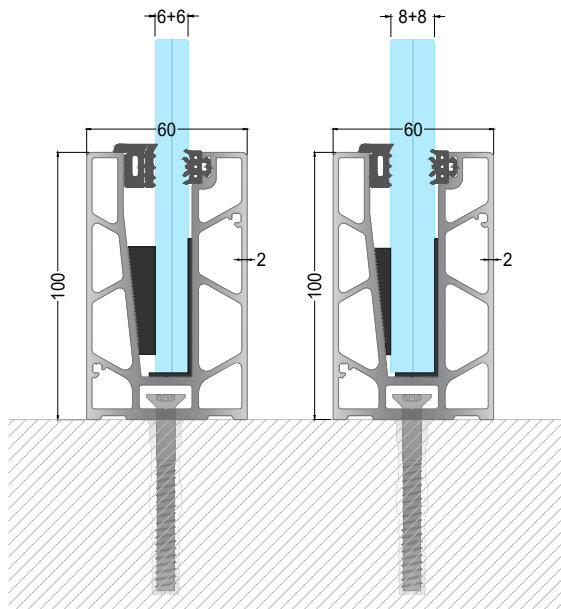
TECHNICAL DETAILS



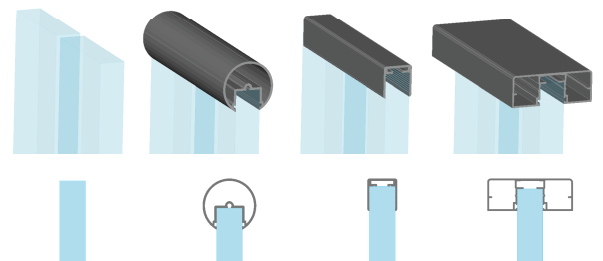
WITHOUT RAIL



TOP MOUNT RAILS



Section



Use Content:



GR1239 - Glazing Gasket -120 m / pack : 10 kg



GR1452 - Multi Staged Inner Glazing Gasket
 - 25 m / pack 10 kg



GR3762 - Glazing Wedge (12 mm for Glazing)
 - pack / 1 pcs



GR3763 - Glazing Wedge (16 mm for Glazing)
 - pack / 1 pcs



GR1302 - 1.5 EPDM Gasket - pack / 1 pcs

Specifications :

Designed for : Light to medium use, indoor and outdoor
Suitable for : Top Mount
Surface Treatment : Anodize Finishing and RAL Colour Options

Prefix options : Cutting, drilling, powder coating and preassembly

Profile Code : TP - 125 - Weight 4.740 kg / m
Material : Aluminum
Base Profile Length : 7000 mm
Base Profile Width : 60 mm
Base Profile Height : 125 mm
Glass Height Max. : 1200 mm
Glass Width Max. : 1200 mm - 1500 mm
Suitable for Glass : 12 mm - 16 mm - 20 mm Glass

Features :

Attractively priced
 Popular railing designs available directly from stock
 Modular Structure
 Easy Installation
 Safe & Clean

BASE GLASS CHANNEL SYSTEM
 STREAMLINED STRENGTH & STABILITY

GR125



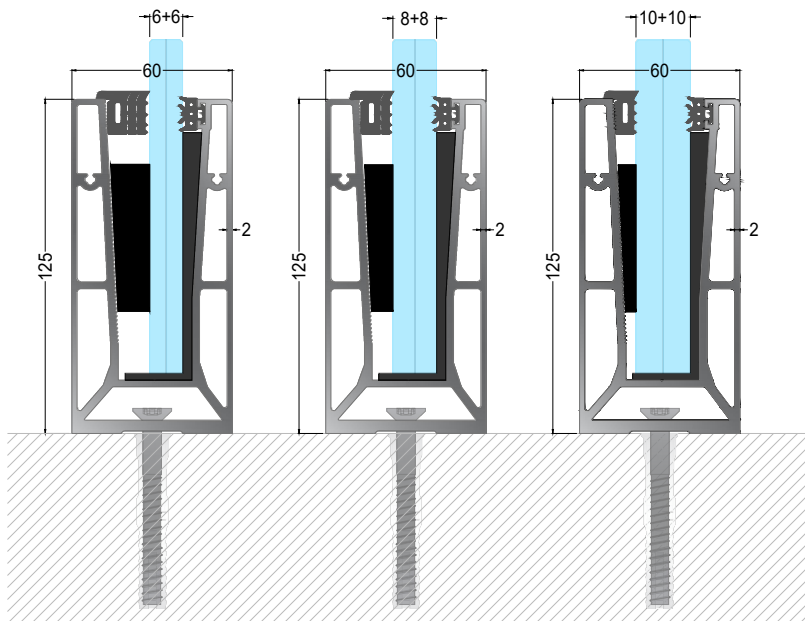
TECHNICAL DETAILS



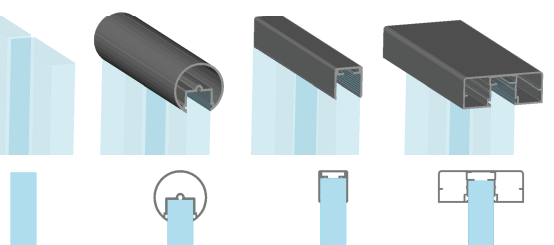
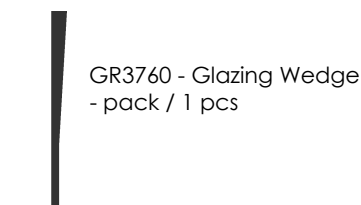
WITHOUT RAIL



TOP MOUNT RAILS



Section



USED COMPONENTS

 GR8062 - Glazing Gasket -108 m / pack :10 kg

 GR1452 - Multi Staged Inner Glazing Wedge (16 mm for Glazing)
 - 25 m / pack 10 kg

 GR3758 - Glazing Wedge (16 mm for Glazing) -
 pack / 1 pcs

 GR3757 - Glazing Wedge (12 mm for Glazing)
 - pack / 1 pcs

Positioning of Holes

GR-80
GR-100
GR-125

