

Description

- Sliding window systems can bring more space and light into the rooms. By converting from hinged, to sliding window, typically saves enough square metre per window and offer highly desirable space.
- The zamak pin allows wider surface to strengthen the connection with locking plate.
- A wide range of compatible accessories complete the sliding system.

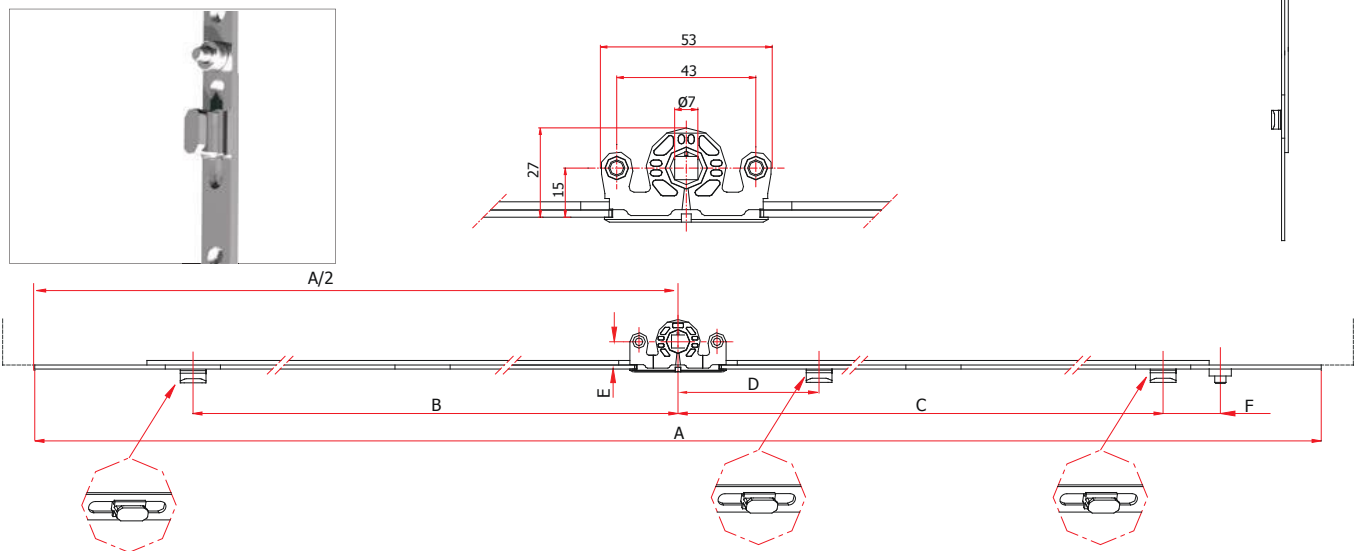
Technical Data

Backset (mm) : 15
Faceplate (mm): 16

Material Specification

Drive Gear : Steel acc. EN 10149/zinc plated
Lock Case : Zinc acc EN 1743-2 / zinc plated

Technical Drawing



Sliding gear with zamak pin

PG	Code	Dimension	A	B	C	D	E	F		
T2	T-22005-02-0-1	210-280	267	-	80.8	-	15	26.8	1	10
T2	T-22005-06-0-1	600-800	596	212	212	-	15	32	1	10
T2	T-22005-10-0-1	1000-1200	996	412	412	-	15	32	1	10
T2	T-22005-18-0-1	1800-2000	1796	812	812	120	15	32	2	10

Locking Plates (according to profile)

PG	Code		
T1	T-19216-00-0-1	- 1500	
T1	T-19219-00-0-1	- 1000	
T1	T-19220-00-0-1	- 1000	

Adjustable Sliding Gear

PG	Code	
T1	T-92300-02-P-1	250

Stay Arm Handle for Sliding system (Inline)

PG	Code	
T1	T-49000-11-0-7	100