

Description

- Wide range of side hung gears for standard windows.
- The roller cams can be adjusted in order to change gasket pressure
- 0,8 mm (+ / -) by using 4 mm allen key.

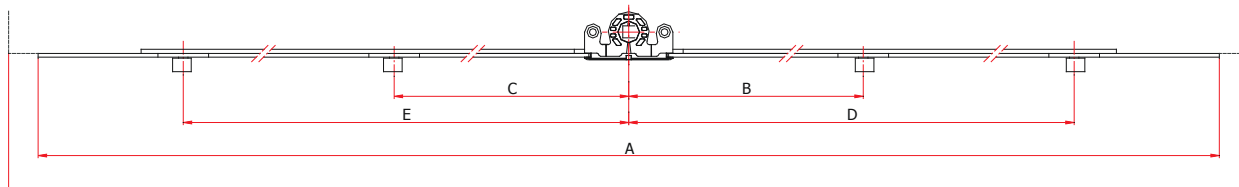
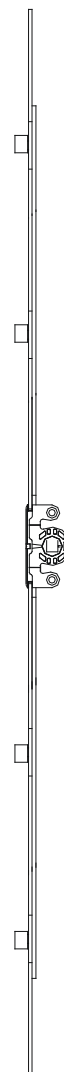
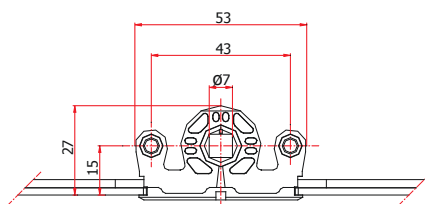
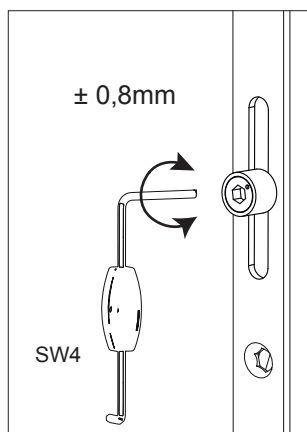
Technical Data

Backset (mm) : 15
 Faceplate (mm): 16

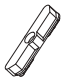

Material Specification

Drive Gear : Steel acc. EN 10149/zinc plated
 Lock Case : Zinc acc EN 1743-2 / zinc plated

Technical Drawing



Side Hung Gears (Zamak Lock Case, 15 mm)

PG	Code	A	B	C	D	E		
T2	T-20000-02-0-1	210	-	-	-	50,5	1	10
T2	T-20000-03-0-1	280	-	-	74	74	2	10
T2	T-20000-04-0-1	400	-	-	135	135	2	10
T2	T-20000-06-0-1	600	-	-	175	175	2	10
T2	T-20000-08-0-1	800	-	-	275	275	2	10
T2	T-20000-10-0-1	1000	94	-	375	375	3	10
T2	T-20000-12-0-1	1200	94	-	475	475	3	10
T2	T-20000-14-0-1	1400	266	266	575	575	3	10
T2	T-20000-16-0-1	1600	300	300	675	675	3	10
T2	T-20000-18-0-1	1800	300	300	775	775	4	10
T2	T-20000-20-0-1	2000	300	300	875	875	4	10