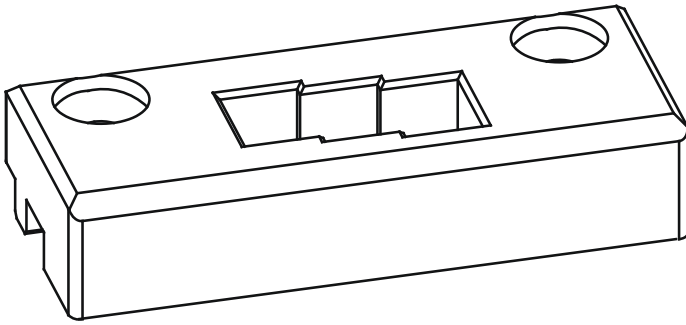


Description

- Suitable locking plate(9 mm or 13 mm) Check below.



Material Specification

Body : The material of the locking plate is zinc
Surface : Corrosion resistance up to 500 hours acc. DIN 50021

Locking plates for bolt

PG	Code		
T1	T-19008-09-0-1	9 mm	100
T1	T-19008-13-0-1	13 mm	100