

Description

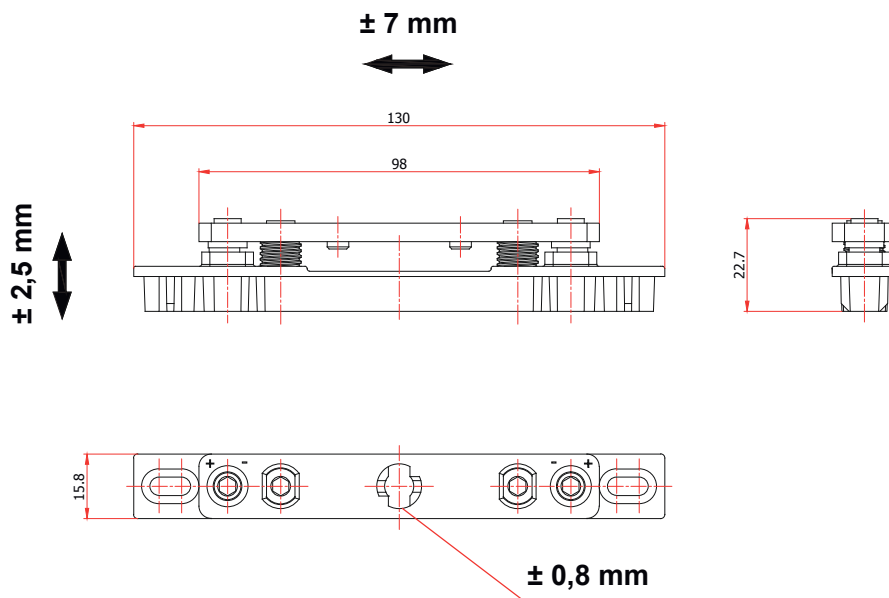
- Symmetrical view with tilt&turn system, instead of standart middle hinge.
- The vertical adjustment of the sash 7 mm (+ / -) can be made thanks to special design.
- The horizontal adjustment of the sash 2,5 mm (- / +) can be made thanks to special design.
- The gasket pressure adjustment 0,8 mm (+ / -) can be made.



Material Specification

Body : Steel acc. EN 10149
 Surface : Corrosion resistance up to 500 hours acc. DIN 50021

Technical Drawing



3D Middle Hinge

PG	Code	
T1	T-14196-00-0-1	100

Covers

PG	Code	
T1	T-10185-11-0-*	100
T1	T-10185-12-0-*	100
T1	T-10185-20-0-*	100

Stay Arm Bearing

PG	Code	
T1	T-10186-03-0-1	20

Jig

PG	Code	
T1	T-10189-12-0-0	1