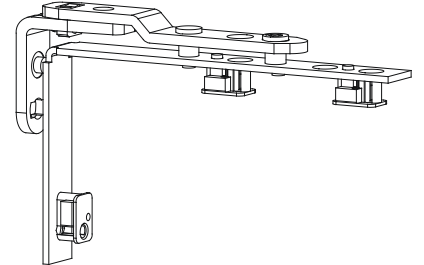


Description

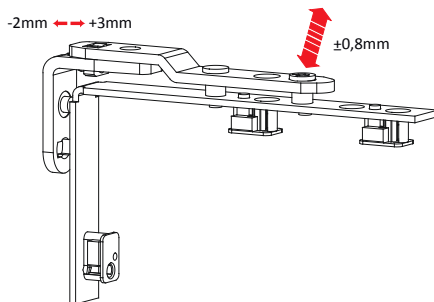
- Special product for inactive sash (double sash) and side hung systems.
- Symmetrical view with tilt&turn systems.
- The suitable positioning of the screw holes allows you to have firmly assembly of hinge.
- Thanks to the adjustable screw , the gasket pressure can be adjusted 0,8 mm (+/-) by using a 4 mm allen wrench.
- The horizontal adjustment of the sash (-2/+3mm) can be made by using allen key



Material Specification

Body : Steel acc. EN 10149
Surface : Corrosion resistance up to 500 hours acc. DIN 50021

Technical Drawing



PG	Code	
T1	T-10195-00-0-1	20