

Description

- 30 mm backset.
- Big advantage in usage of outside opening systems.
- In the view, nice detail as the handle will be in the middle of the frame (60 mm). The roller cams can be adjusted in order to change gasket pressure around 0.8 mm (- / +) by using a 4 mm Allen wrench.
- (WOSP) Wrong operation safety device with sash positioner usage is available

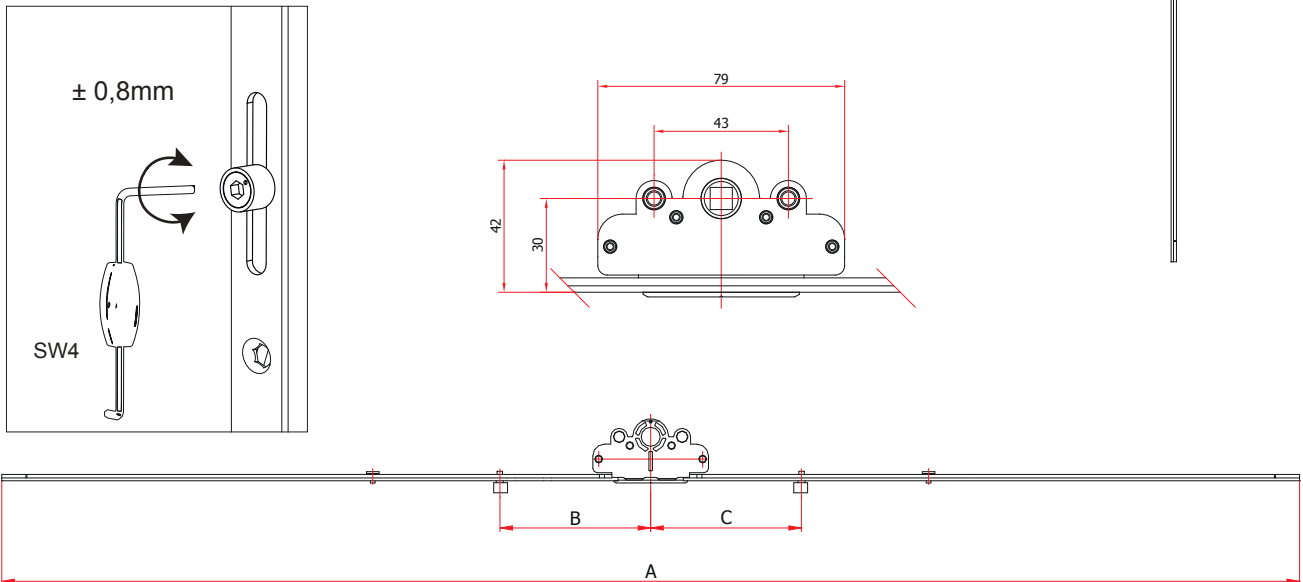
Technical Data

Backset (mm) : 30
 Faceplate (mm) : 16

Material Specification

Drive Gear : Steel acc. EN 10149/zinc plated
 Lock Case : Zinc acc EN 1743-2 / zinc plated

Technical Drawing



PG	Code	Dimension	A	B	C			
T1	T-10194-06-0-1	470-700	628					10
T1	T-10194-07-0-1	585-1000	730	120				10
T1	T-10194-09-0-1	885-1300	1030	120		1	1	10
T1	T-10194-10-0-1	985-1400	1130	120		1	1	10
T1	T-10194-12-0-1	1185-1600	1330	120		1	1	10
T1	T-10194-14-0-1	1385-1800	1530	272	272	1	2	10
T1	T-10194-16-0-1	1585-2000	1730	322	322	1	2	10
T1	T-10194-20-0-1	1985-2400	2130	372	372	1	2	10