

Description

- 30 mm backset with security pin.
- Big advantage in usage of outside opening systems.
- In the view, nice detail as the handle will be in the middle of the frame (60 mm). The roller cams can be adjusted in order to change gasket pressure around 0.8 mm (- / +) by using a 4 mm Allen wrench.
- (WOSP) Wrong operation safety device with sash positioner usage is available

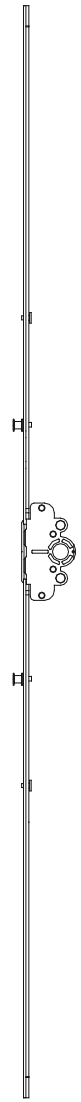
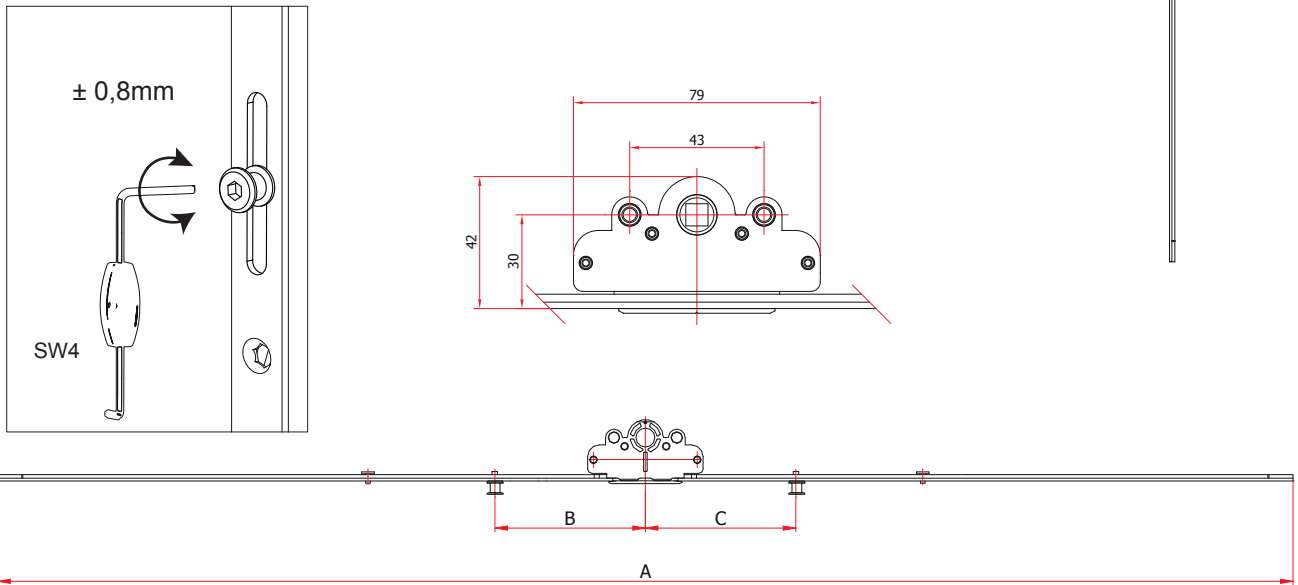
Technical Data

Backset (mm) : 30
 Faceplate (mm) : 16

Material Specification

Drive Gear : Steel acc. EN 10149/zinc plated
 Lock Case : Zinc acc EN 1743-2 / zinc plated
 Roller Cams : Special product for security

Technical Drawing



| PG | Code | Dimension | A | B | C | | | |
|----|----------------|-----------|------|-----|-----|---|---|----|
| T1 | T-10194-07-S-1 | 685-1100 | 830 | 120 | | | 1 | 10 |
| T1 | T-10194-09-S-1 | 885-1300 | 1030 | 120 | | 1 | 1 | 10 |
| T1 | T-10194-10-S-1 | 985-1400 | 1130 | 120 | | 1 | 1 | 10 |
| T1 | T-10194-12-S-1 | 1185-1600 | 1330 | 120 | | 1 | 1 | 10 |
| T1 | T-10194-14-S-1 | 1385-1800 | 1530 | 272 | 272 | 1 | 2 | 10 |
| T1 | T-10194-16-S-1 | 1585-2000 | 1730 | 322 | 322 | 1 | 2 | 10 |
| T1 | T-10194-20-S-1 | 1985-2400 | 2130 | 372 | 372 | 1 | 2 | 10 |