

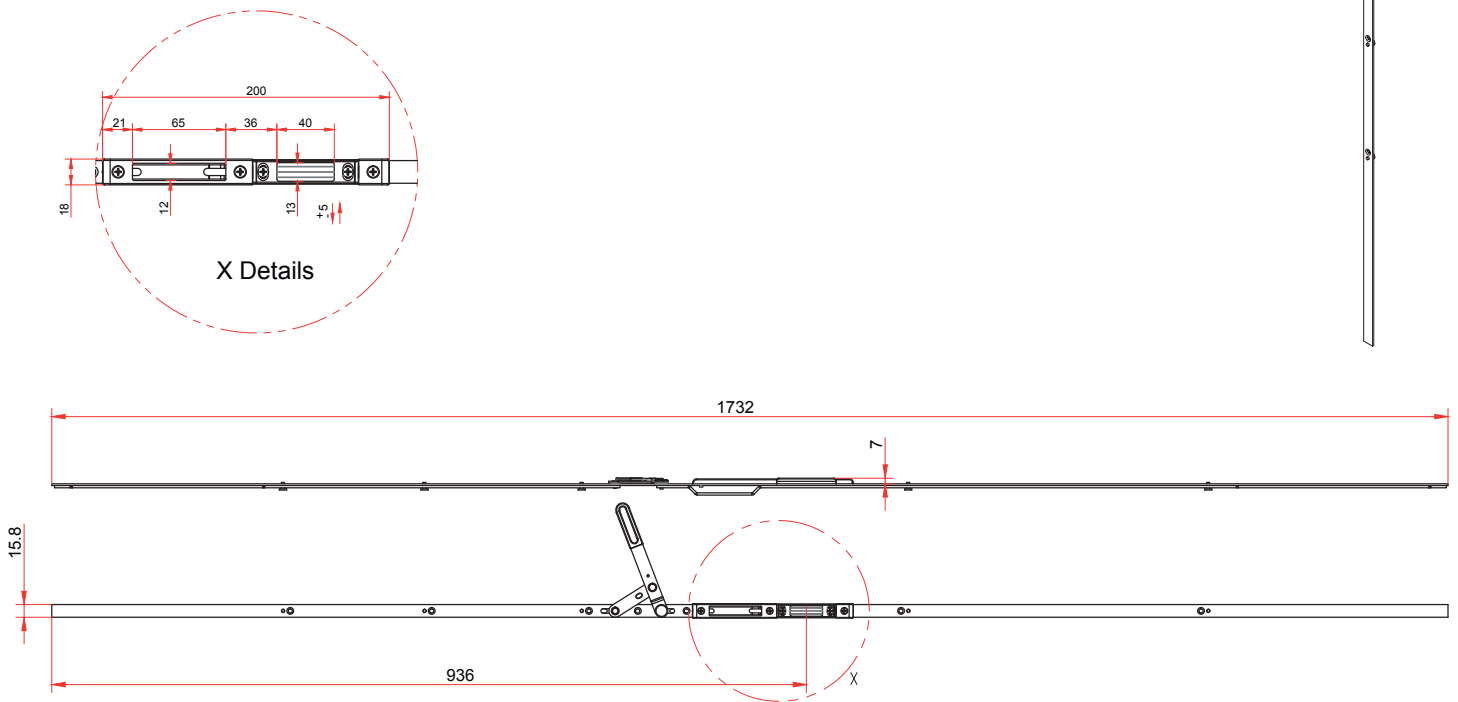
Description

- All gears has lever which helps easy usage of the door.
- The gears are produced as the adjustable latch&deadbolt plate are mounted on the forend. This way the montage of the double sash door is very easy.
- The locking plates for the door pins are produced in 2 types according the multipoint door lock. Standard pins and security (mushroom pins).

Material Specification

Body : Steel acc. EN 10149
 Surface : Corrosion resistance up to 500 hours acc. DIN 50021

Technical Drawing

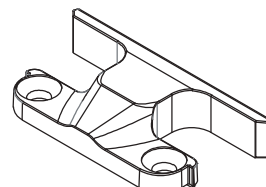


Rebate Gears for Double Sash Doors

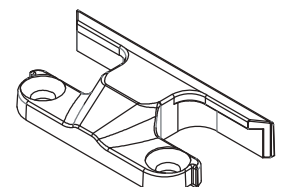
PG	Code	Dimension	A	B	
T1	T-10191-18-0-1	1600-2000	1735	936	10
T1	T-10191-20-0-1	1800-2200	1932	936	10

Locking plates for Rebate Door Gears

PG	Code	Description
T1	T-19221-00-0-1	Locking Plate for Rebate Door Gears, Standard
T1	T-19221-00-S-1	Locking Plate for Rebate Door Gears, Security



T-19221-00-0-1



T-19221-00-S-1