

Description

- Unique product with fixed handle height, 15 mm backset and security pins.
- Easy usage of the windows with long frame thanks to the position of the handle.
- WOSP can be used with this product which improve the security.
- The roller cams can be adjusted in order to change gasket pressure around 0.8 mm (- / +) by using a 4 mm Allen wrench.

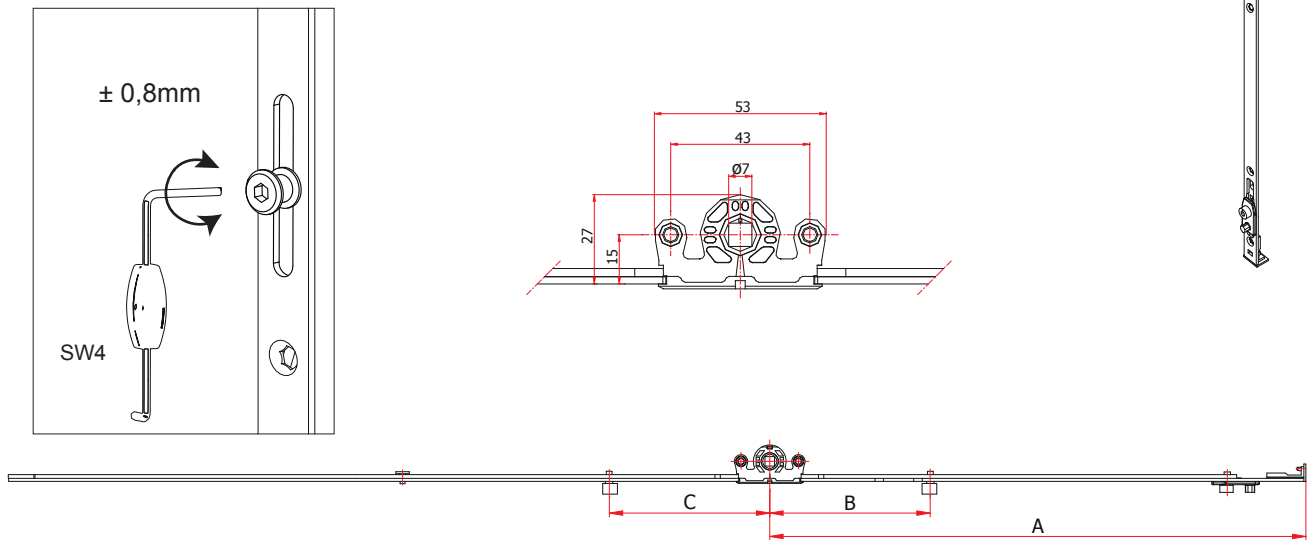
Technical Data

Backset (mm) : 15
 Faceplate (mm) : 16

Material Specification

Drive Gear : Steel acc. EN 10149/zinc plated
 Lock Case : Zinc acc EN 1743-2 / zinc plated
 Roller Cams : Special product for security

Technical Drawing



PG	Code	Dimension	A	B	C			
T1	T-10190-08-S-1	701-900	250		120		1	10
T1	T-10190-10-S-1	901-1100	400		120	1	1	10
T1	T-10190-12-S-1	1101-1300	500		120	1	1	10
T1	T-10190-14-S-1	1301-1500	600		120	1	2	10
T1	T-10190-16-S-1	1501-1700	700	369	274	1	2	10
T1	T-10190-18-S-1	1701-1900	900	290	354	1	2	10
T1	T-10190-20-S-1	1901-2100	980	370	274	1	2	10