

Description

- Extension with mushroom cam.
- Special usage in TGP Forte T&T systems with tilt from bottom and TGP Focus4 lock with connection part.
- Easy usage in double leaf window with TGP Forte T&T systems
This product can be used with corner transmission for passive side both up&down and also active side down.
- Extra security and less heat loss thanks to this product.

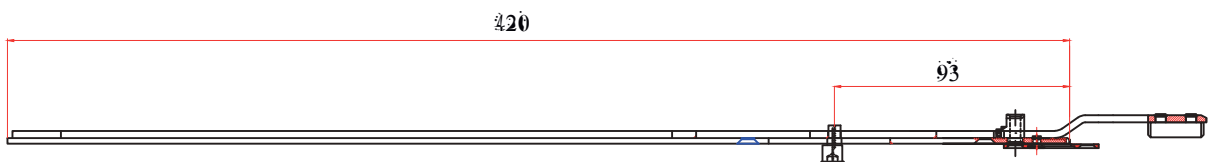
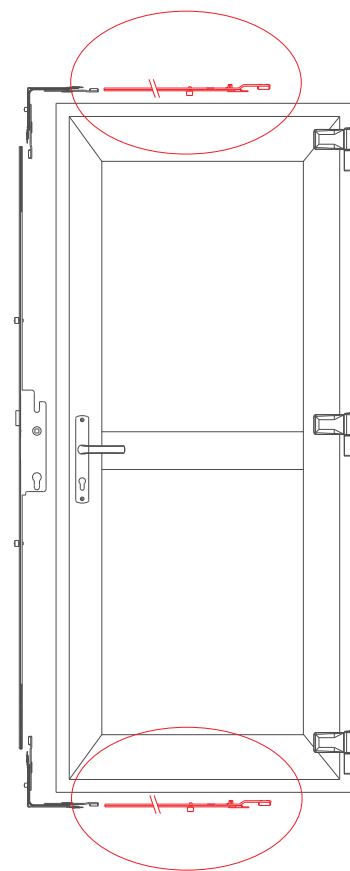
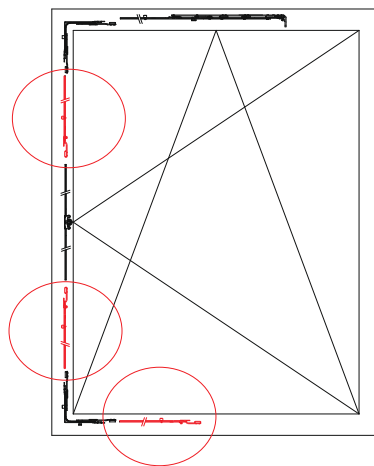
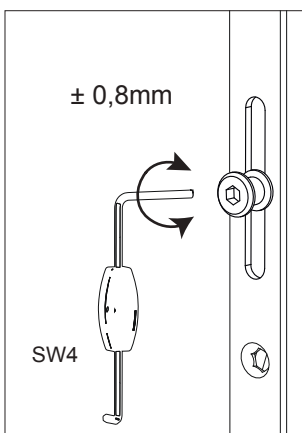
Technical Data

Faceplate (mm) : 16

Material Specification

Drive Gear : Steel acc. EN 10149/zinc plated
 Roller Cams : Special product for security

Technical Drawing



PG	Code	Dimension	A	B		
T1	T-10189-42-S-1	210-420	327	93	1	10