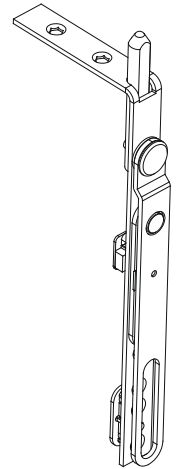


Description

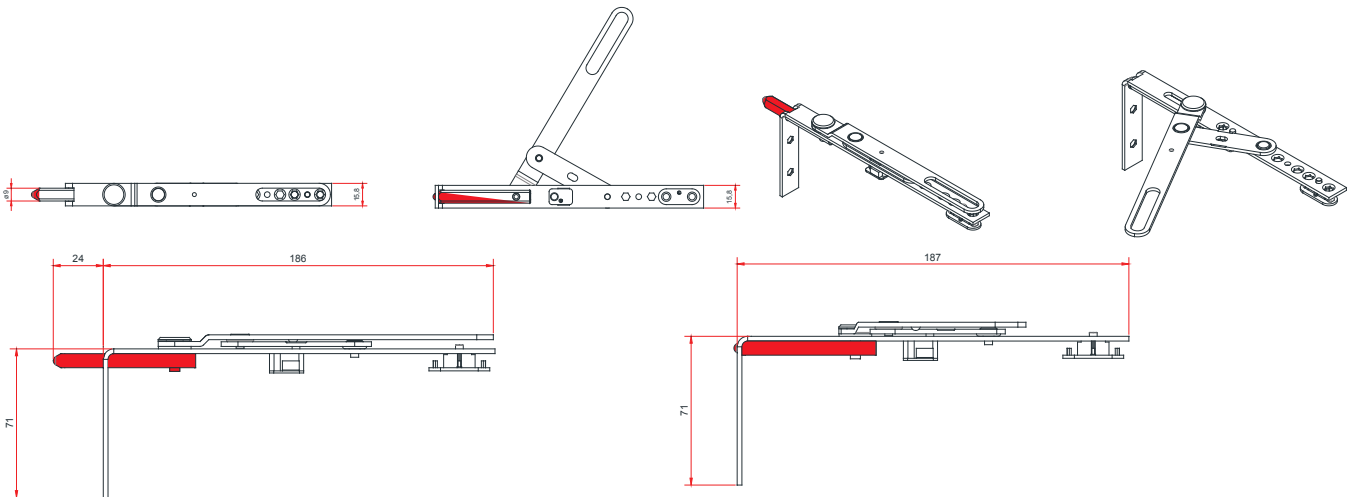
- Simple and cheaper solution for double sash systems without rebate shoot bolt gears.
- Suitable locking plate(9 mm ,Threshold,13 mm) should be assembled for bolt.



Material Specification

Body : Steel acc. EN 10149
 Surface : Corrosion resistance up to 500 hours acc. DIN 50021

Technical Drawing



Sash Shoot 190 & Strikers

PG	Code		
T1	T-10189-05-0-1		10

Locking plates for bolt

PG	Code		
T1	T-19008-14-0-1	Threshold	100
T1	T-19008-15-0-1	9 mm	100
T1	T-19008-16-0-1	13 mm	100