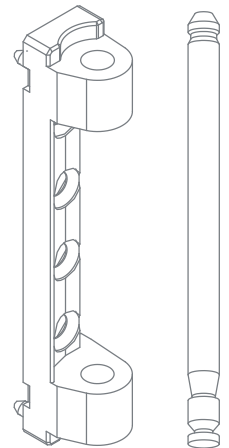


# Stay Arm Bearing ( 3 mm diameter)



## Description

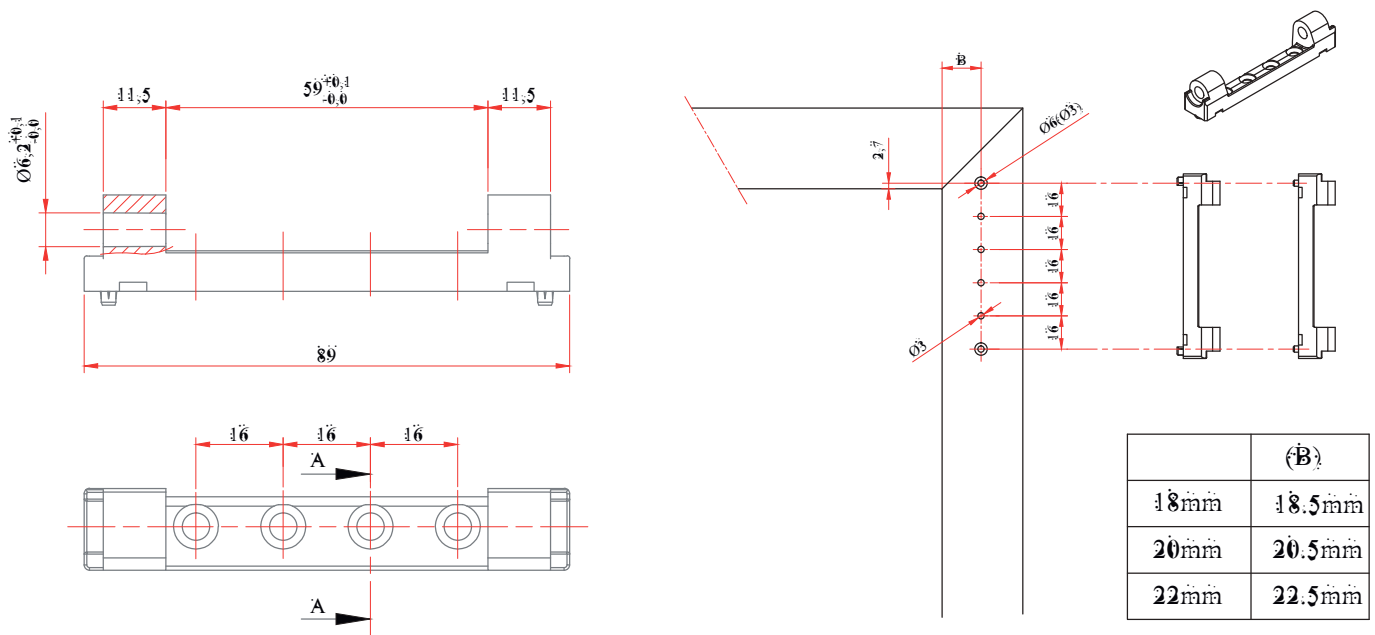
- The suitable positioning of the screw holes allows you to fasten all the screws in the steel reinforcement.
- The positioning pins have 3 mm in diameter.
- Steel safety springs are firmly fixing the axel.
- Due to the suitable positioning of the positioning pins, the stay arm bearing can be mounted on fix mullion using CNC machines
- The axel has a strong construction and can be mounted in any position
- Jig for stay arm bearing is only for 6 mm diameter.If you order this product (3 mm) please ask for special jig.



## Material Specification

Body : Zinc

## Technical Drawing



### Hinge

PG	Code	
T1	T-10186-03-3-1	20

### Covers

PG	Code	
T1	T-10185-12-0-*	100

### Jig

PG	Code	
T1		1

Please ask for special jig for 3 mm stay arm bearing