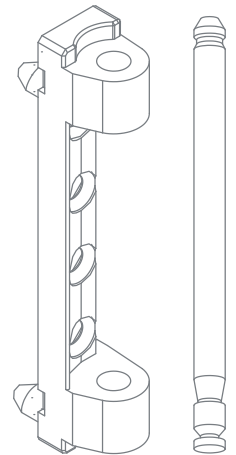


Description

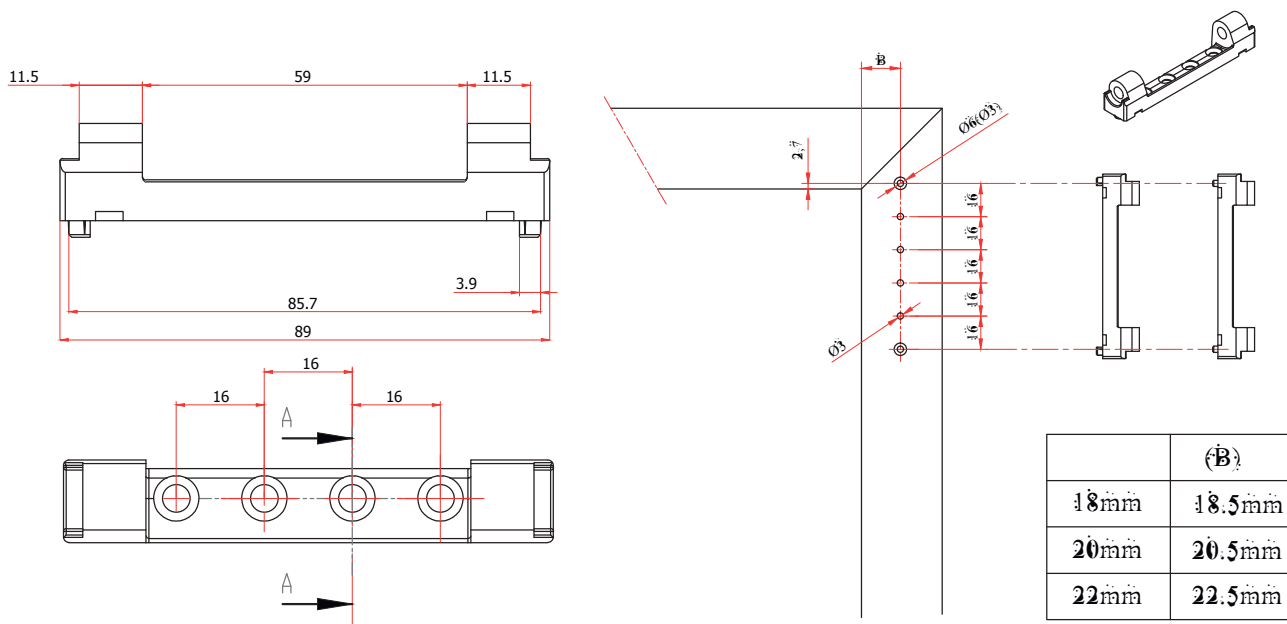
- The suitable positioning of the screw holes allows you to fasten all the screws in the steel reinforcement.
- The positioning pins have 6 mm in diameter.
- Steel safety springs are firmly fixing the axel.
- Due to the suitable positioning of the positioning pins, the stay arm bearing can be mounted on fix mullion using CNC machines
- The axel has a strong construction and can be mounted in any position



Material Specification

Body : Zinc

Technical Drawing



Hinge

PG	Code	
T1	T-10186-03-0-1	20

Covers

PG	Code	
T1	T-10185-12-0-*	100

Jig

PG	Code	
T1	T-10189-12-0-0	1