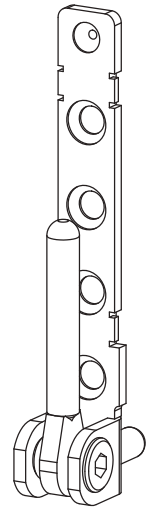


Description

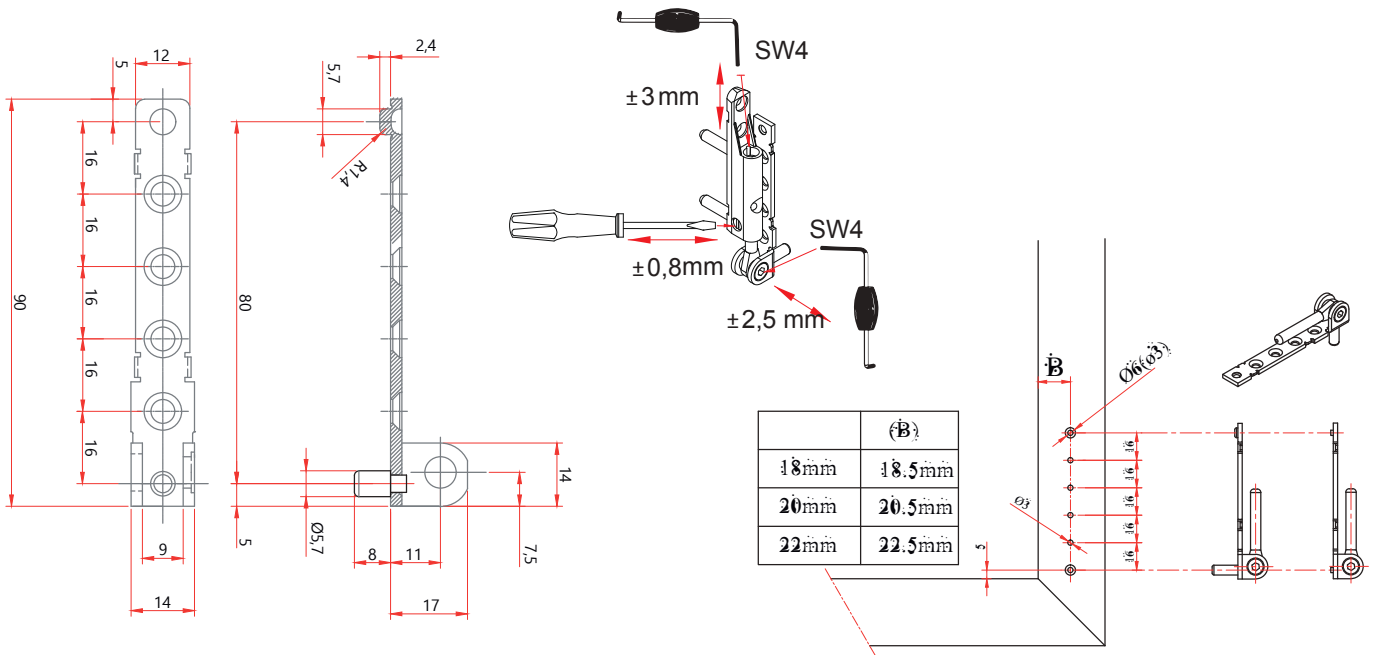
- The suitable positioning of the screw holes allows you to fasten all the screws in the steel reinforcement.
- The positioning pins have 6 mm in diameter.
- Thanks to the adjustable screw, frame can be adjusted horizontally 2,5 mm (- / +) by using a 4 mm allen wrench.
- The hinge has a special construction for bottom and top covers.



Material Specification

Body : Steel

Technical Drawing



Hinge

PG	Code	
T1	T-10186-02-0-1	20

Covers

PG	Code	
T1	T-10185-13-0-*	100
T1	T-10185-14-0-*	100

Jig

PG	Code	
T1	T-10189-12-0-0	1