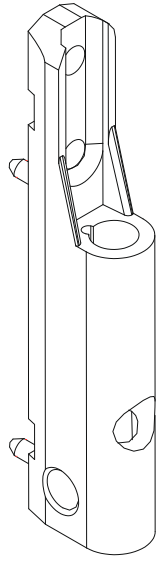


# Drill-in Corner Hinge (3 mm diameter)



## Description

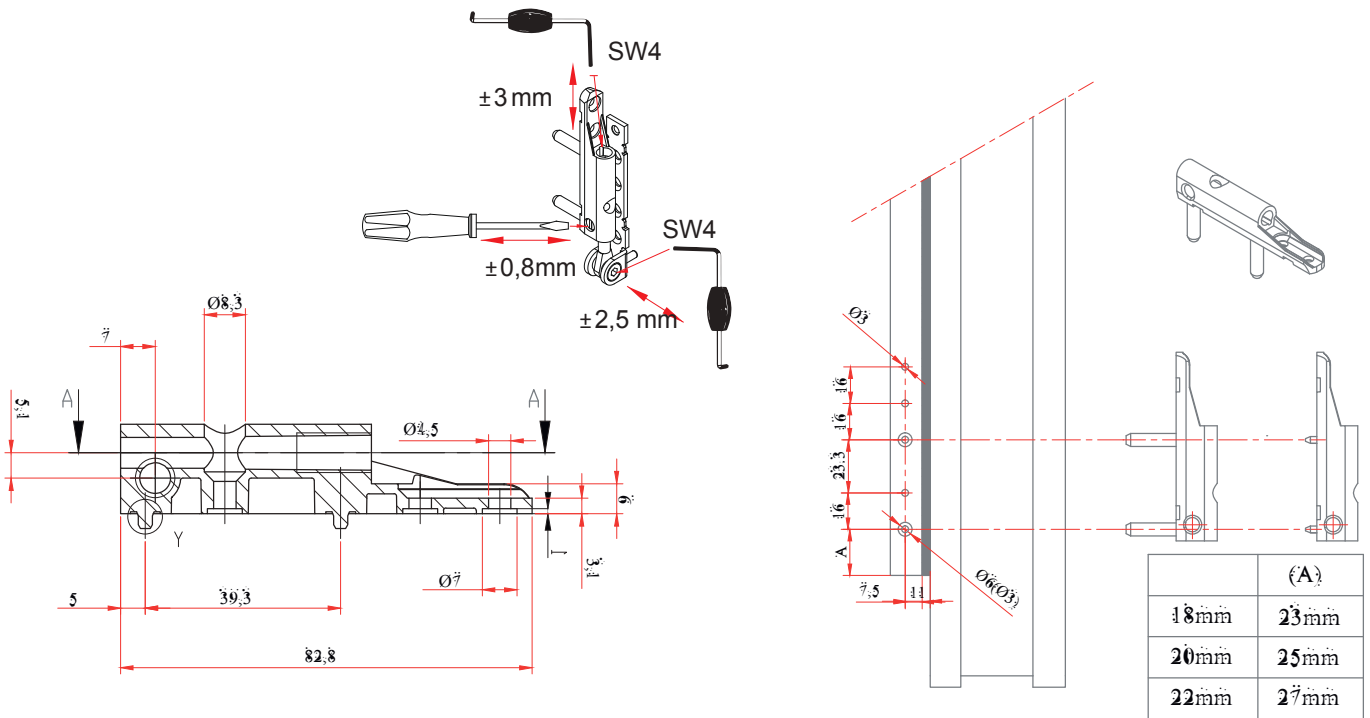
- The sash fastening is made with 3 screws.
- The positioning pins have 3 mm in diameter.
- Thanks to the adjustable screw , frame can be adjusted vertically 3 mm (+/-) by using a 4 mm allen wrench.
- The gasket pressure can be adjusted 0,8 mm
- The screw holes are specially designed in order to prevent the drill in corner hinge to apart from the sash (due to exceeding material that comes off when the screws are fixed)



## Material Specification

Body : Zinc

## Technical Drawing



### Hinge

PG	Code	
T1	T-10186-01-3-1	20

### Covers

PG	Code	
T1	T-10185-15-0-*	100

### Jig

PG	Code	
T1	T-10189-11-0-0	1