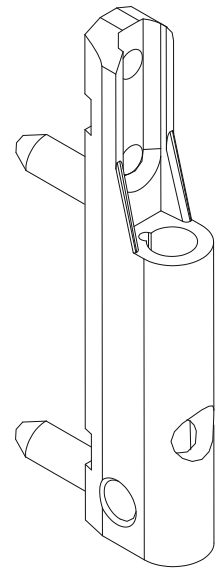


Description

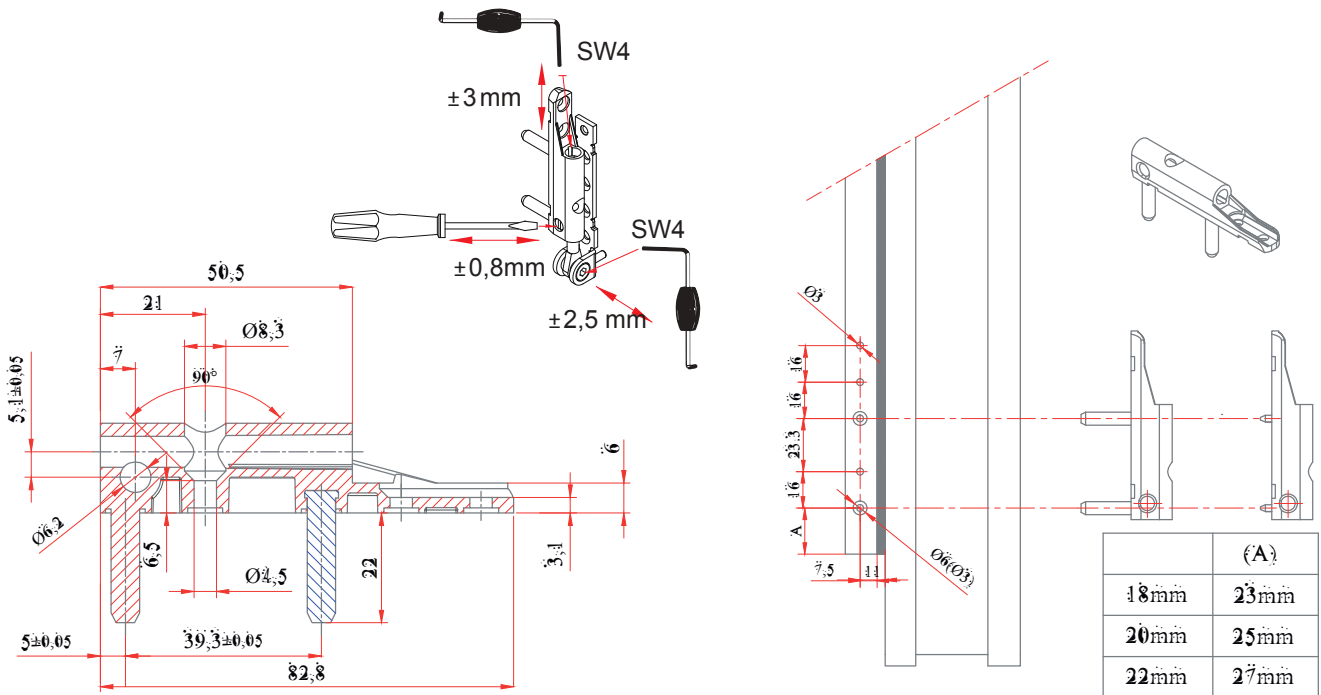
- The sash fastening is made with 3 screws.
- The 6 mm positioning pins ensures a better lift in the material of the frame.
- Thanks to the adjustable screw, frame can be adjusted vertically 3 mm (+/-) by using a 4 mm allen wrench.
- The gasket pressure can be adjusted 0,8 mm
- The screw holes are specially designed in order to prevent the drill in corner hinge to apart from the sash (due to exceeding material that comes off when the screws are fixed)



Material Specification

Body : Zinc

Technical Drawing



Hinge

PG	Code	
T1	T-10186-01-0-1	20

Covers

PG	Code	
T1	T-10185-15-0-*	100

Jig

PG	Code	
T1	T-10189-11-0-0	1