

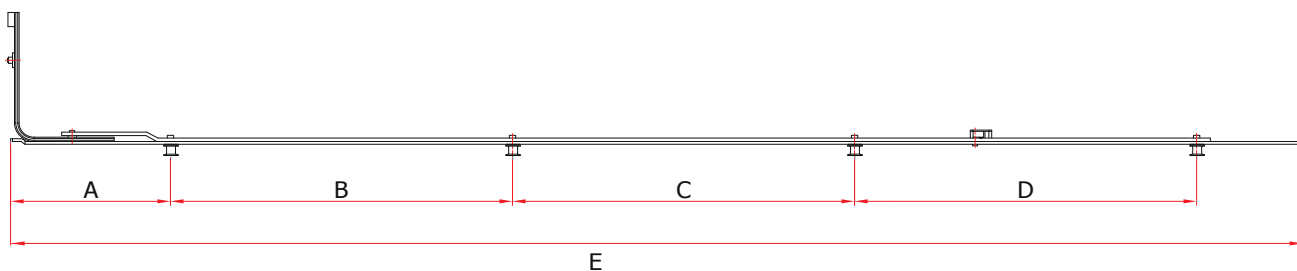
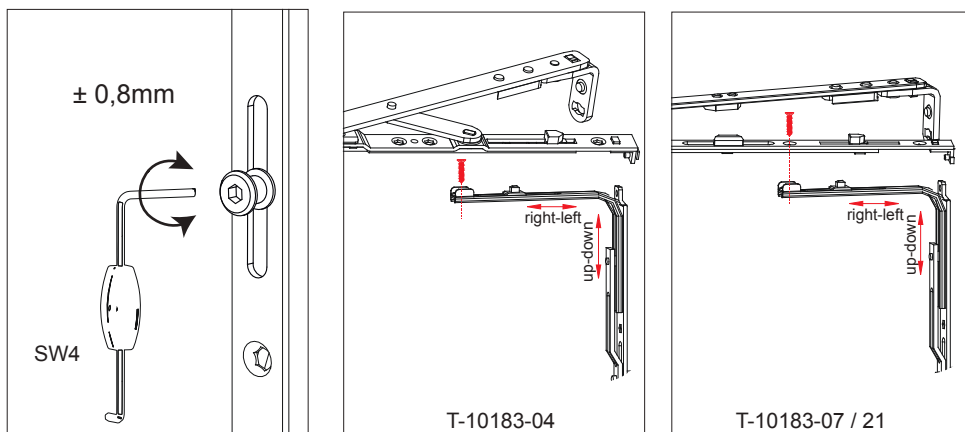
Description

- Middle lock with a special mushroom cam designed to have more security.
- Additional locking point near to the corner (127 mm) is a big advantage to have more gasket pressure and less heat loss.
- The roller cams can be adjusted in order to change gasket pressure 0,8 mm (- / +) by using a 4 mm allen wrench.
- Special design and easy connection with stay arm to have faster and easier montage of the windows. In addition, all dimensions of the stay arm c can be screwed to be fixed directly to the profile. This way the movement of the middle lock is limited.

Material Specification

Body : Steel acc. EN 10149
 Surface : Corrosion resistance up to 500 hours acc. DIN 50021

Technical Drawing



PG	Code	Dimension	A	B	C	D	E		
T1	T-10183-04-S-1	400-800	127				220	1	10
T1	T-10183-07-S-1	700-1150	127	333			537	2	10
T1	T-10183-12-S-1	1150-1500	127	533			737	2	10
T1	T-10183-14-S-1	1350-1600	127	333	450		987	3	10
T1	T-10183-15-S-1	1500-1850	127	333		700	1237	3	10
T1	T-10183-19-S-1	1850-2100	127	547		730	1481	3	10
T1	T-10183-21-S-1	2100-2400	127	333	643	600	1780	4	10