

## Description

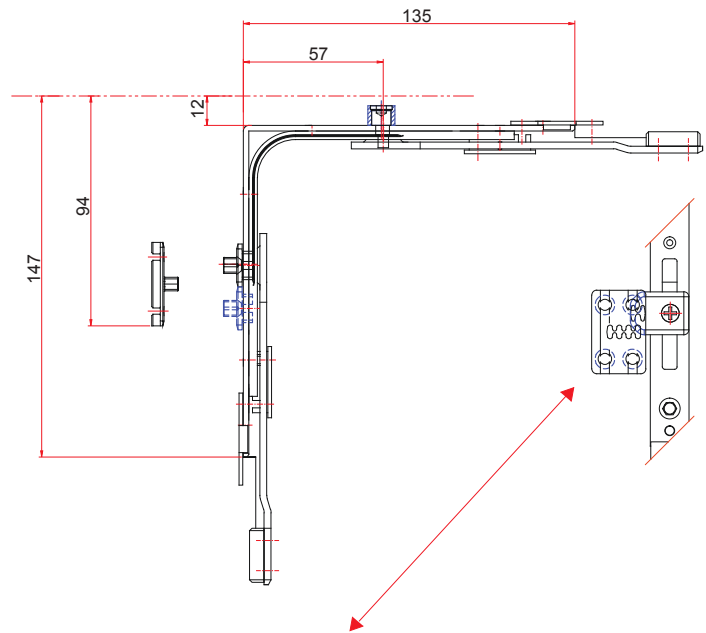
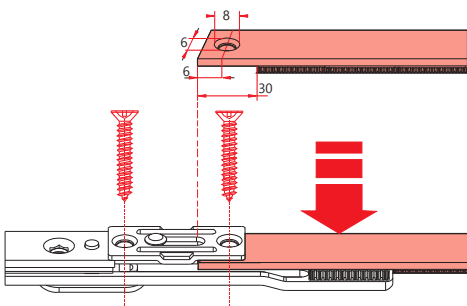
- Special corner transmission with ventilation purpose.
- 4 different position for ventilation.
- The locking points has special roller cams designed to reduce friction
- The construction of the corner transmission allows you to cut even (equal) the gear front plate and guide rod (no special tool required) but also allows you to punch a hole for an additional screw (pneumatic cutting machine required). This way, the connection between the corner transmission and the gear is no longer mobile and the reliability of the system is increased.
- The length of the corner transmission is 135 mm
- The connection between the corner transmission and the guiding rod of the gear is made of drawn steel
- The transmission is realized with 3 stainless steel springs in the guide.



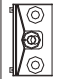

## Material Specification


Body : Steel acc. EN 10149  
 Surface : Corrosion resistance up to 500 hours acc. DIN 50021

## Technical Drawing



## (WOSP) Wrong Operation Safety Device with Sash positioner

PG	Code		
T1	T-10181-05-0-1	1	20



Locking Plate for Corner Transmission V. Ventilation  
 T-19181-00-0-1

