

Description

- 15 mm backset with security pins.
- This product can be connected with the corner drive and extension piece. The roller cams can be adjusted in order to change gasket pressure around 0.8 mm (- / +) by using a 4 mm allen wrench.
- (WOSP) Wrong operation safety device with sash positioner usage is available



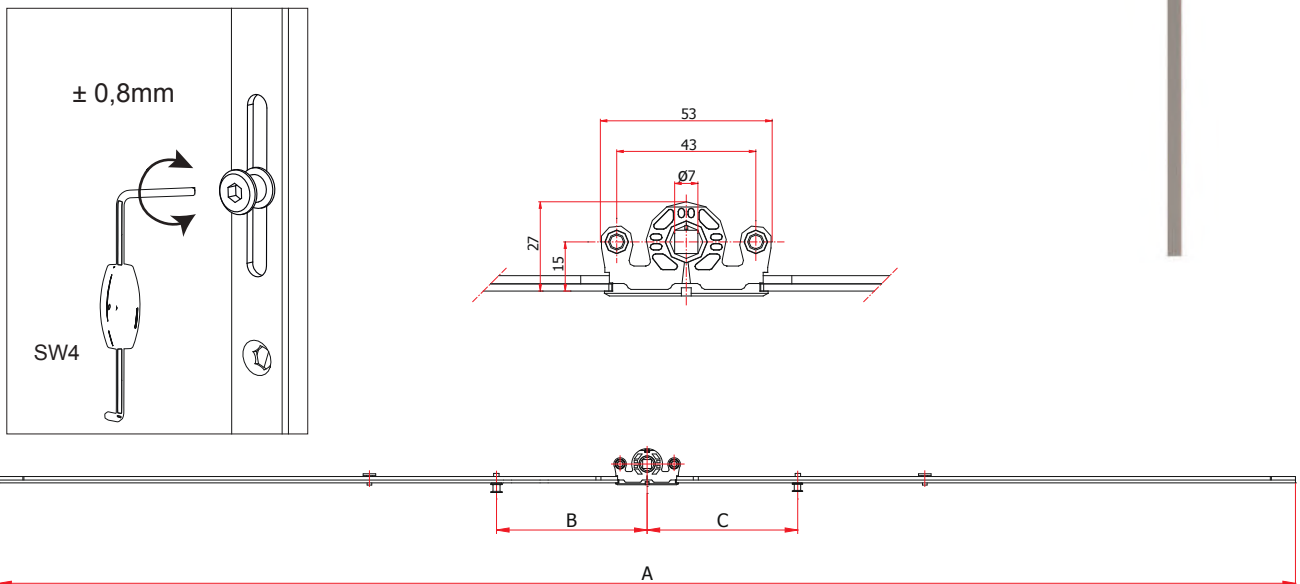
Technical Data

Backset (mm) : 15
 Faceplate (mm) : 16

Material Specification

Drive Gear : Steel acc. EN 10149/zinc plated
 Lock Case : Zinc acc EN 1743-2 / zinc plated
 Roller Cams : Special product for security

Technical Drawing



PG	Code	Dimension	A	B	C			
T1	T-10180-07-S-1	685-1100	830	120			1	10
T1	T-10180-09-S-1	885-1300	1030	120		1	1	10
T1	T-10180-10-S-1	985-1400	1130	120		1	1	10
T1	T-10180-12-S-1	1185-1600	1330	120		1	1	10
T1	T-10180-14-S-1	1385-1800	1530	272	272	1	2	10
T1	T-10180-16-S-1	1585-2000	1730	322	322	1	2	10
T1	T-10180-20-S-1	1985-2400	2130	372	372	1	2	10